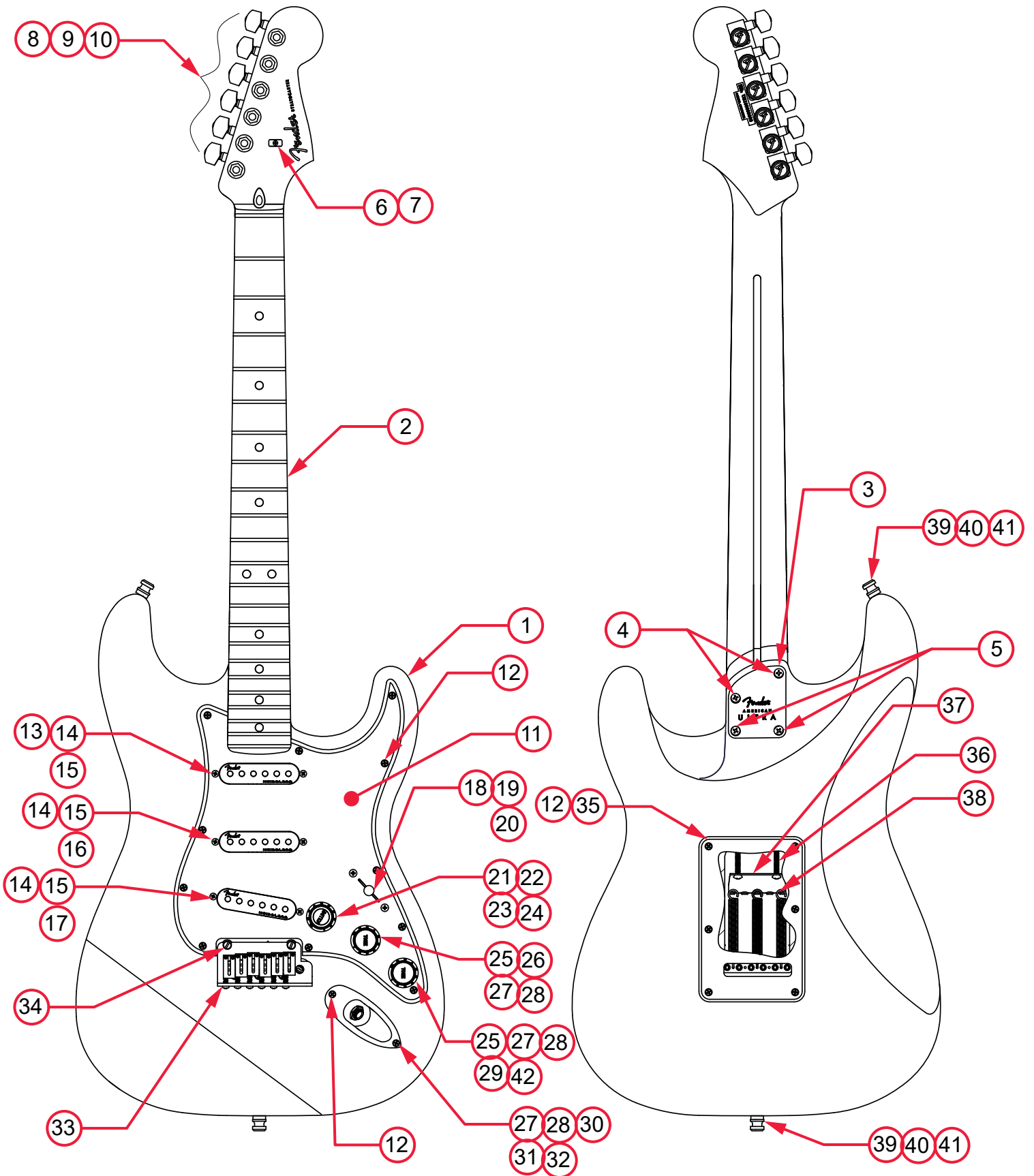


AMERICAN ULTRA STRATOCASTER® SSS (011801XXXX)

PARTS LAYOUT



AMERICAN ULTRA STRATOCASTER® SSS (011801XXXX)

PARTS LIST

REF#	DESCRIPTION	PART NUMBER
1	BODY AM ULTRA STRAT ULTRBST	7715496512
1	BODY AM ULTRA STRAT AGN	7716044534
1	BODY AM ULTRA STRAT COB	7715495595
1	BODY AM ULTRA STRAT PRB	7715496573
1	BODY AM ULTRA STRAT ARCTIC PRL	7715495581
1	BODY AM ULTRA STRAT TXT	7715495590
2	NECK ASSY AM ULTRA STRAT RW	7715494000
2	NECK ASSY AM ULTRA STRAT MPL	7714593000
3	NECK PLATE GUITAR AM ULTRA CHROME RH	7715469000
4	SCREW SMA 8 X 1-1/4 OHP NI	0072900000
5	SCREW SMA 8 X 1-1/2 OHP NI	7716272000
6	STRING TREE AM ELITE GTR CHR	7708381000
7	SCREW SMA 2 X 9/16 FHP NI	0051621000
8	KEY LOCKING SHORT 1,2,3 POLISH CHROME	0073114049
9	WASHERS KEY (6)	0053106049
10	BUSHINGS KEY (6)	0058820049
11	PICKGUARD STRAT MG/BLK/MG	0992144000
11	PICKGUARD STRAT BROWN SHELL	0992142000
11	PICKGUARD STRAT AGED WHT PEARL	0992140000
11	PICKGUARD STRAT ALUM CLEAR ANOD	0050242080
11	PICKGUARD STRAT AW/B/AW	7716285000
11	PICKGUARD STRAT GOLD ANOD	0050242000
12	SCREW SMAB 4 X 1/2 OHP NI	0015578049
13	PICKUP ASSY AM ULTRA NOISELESS STRAT VINTAGE NECK AGED WHT	7715500000
14	TUBING SIL RUB CUT RED .500	0063398000
15	SCREW SPCL MACH 4-40 X 13/16 #5 HEAD NI	0099474000
16	PICKUP ASSY AM ULTR NOISELESS STRAT VINTAGE MID AGED WHT	7715501000
17	PICKUP ASSY AM ULTR NOISELESS STRAT VINTAGE BRIDGE AGED WHT	7715502000
18	KNOB LEVER SWITCH AGED WHT	0994938000
19	SWITCH 5-WAY LEVER DISCRETE/COM	0078776000
20	SCREW MACH 6-32 X 5/8 RHP NI	0015800049
21	KNOB STRAT S1 SOFT OVERMOLD AGED WHT	7708072000
22	SWITCH CAP SPSH STRAT AGED WHT	0059266030
23	SW/POT ASY S-1 250K .25B SPSH BT W/HDWR	0078777049

*= NOT PICTURED IN DIAGRAM



AMERICAN ULTRA STRATOCASTER® SSS (011801XXXX)

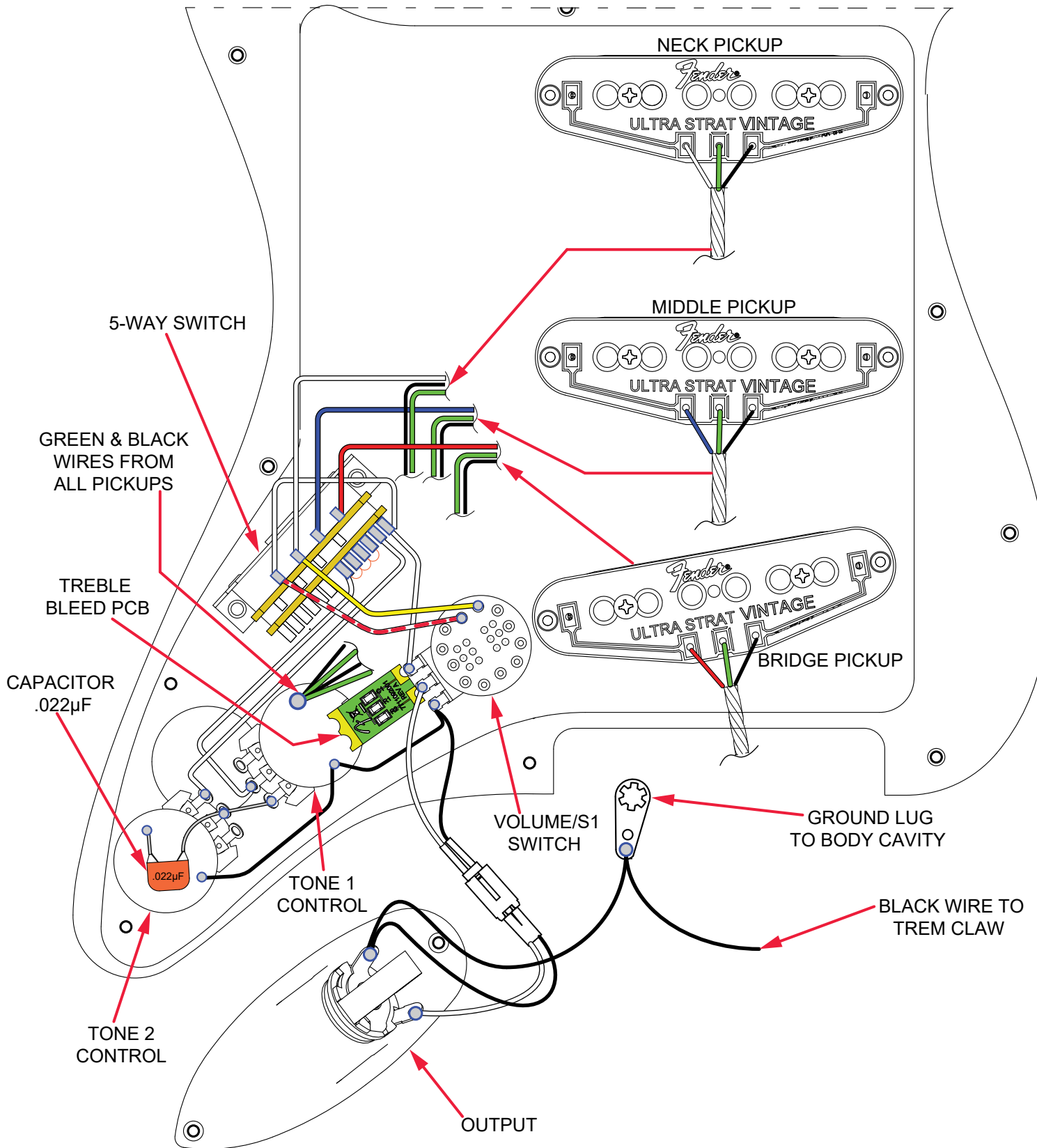
REF#	DESCRIPTION	PART NUMBER
24	PCB ASSY TREBLE BLEED AM PRO STRAT/TELE	7711092000
25	KNOB STRAT TONE SOFT OVERMOLD AGED WHT	7708072000
26	CONTROL 250K 10% TAPER SPSH	0078779000
27	WASHER LOCK INTL 3/8 X .687	0016436049
28	NUT HEX 3/8-32 X 3/32 TK NI	0016352049
29	CAPACITOR MPF RDL .022µF 250V 10%	0024832049
30	FERRULE JACK CHROME	0991940100
31	JACK PHONE OPEN CIRCUIT 11	0021956049
32	2-PIN FEMALE LOCKING QUICK CONNECT	7717592000
33	BRIDGE ASSY STRAT AM DLX RH	0077092000
33A	BRIDGE PLATE ULTRA STRAT	0036527000
33B	BLOCK TREMOLO AM DLX STRAT RH	0077090000
33C	BRIDGE SECTION ULTRA STRAT	0990840100
33D	SPRING BRIDGE 4 COIL 3/8 BLACK	0019394049
33E	SPRING-BRIDGE 3 COIL 1/4 BLACK	0019395049
33F	SCREW M 4-40x5/8 PHP BLK	0017031049
33G	SCREW HEIGHT ADJ. 1/4	0026779049
33H	SCREW HEIGHT ADJ. 5/16	0026780049
33I	SCREW M 8-32x3/8 FHP NI	0019656049
33J	SPRING CLIP, ULTRA	0036531000
33K	BUSHING NYL BLK .31OD .22ID x .87L	0036614000
33L	SCRW SET 10-32x3/16 HEX SKT FP BLXL	0036615049
34	PIVOT POST ASSY	0093273000
35	COVER BACK STRAT STD W/SLOT ALUM CLR ANODIZED	0094751000
35	COVER BACK STRAT STD W/SLOT AW/BLK/AW	7716290000
35	COVER BACK STRAT STD W/SLOT BROWN SHELL	0049683000
35	COVER BACK STRAT STD W/SLOT MG/BLK/MG	0054029000
35	COVER BACK STRAT STD W/SLOT GOLD ANOD	0094779000
36	SCREW SMA 8 X 1-3/4 OHP NI	0015636049
37	CLAW SPRING TENSION ZINC	0010272149
38	SPRING TREM TENSION BLX OX	0018671049
39	STRAP BUTTONS ELITE/STD CHROME W/HDWR	0994914000
40	SCREW SMAB 5 X 1 OHP NI	0015610049
41	FELT WASHERS WHITE	0994930000
41	FELT WASHER BLACK	0994929000
42	CONTROL 250K 10% SPSH NO LOAD	0078780000
*	TREM ARM ULTRA SNAPIN ULTRA/DLX	0036534049
*	WRENCH .050 HEX KEY (SADDLE HEIGHT ADJUSTMENT)	0018531049
*	WRENCH 1/8 HEX KEY (TRUSS ROD ADJUSTMENT)	7715532000
*	CASE MOLDED AM ELITE GTR	7708545000

*= NOT PICTURED IN DIAGRAM





AMERICAN ULTRA STRATOCASTER® SSS (011801XXXX)


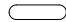
WIRING ASSEMBLY

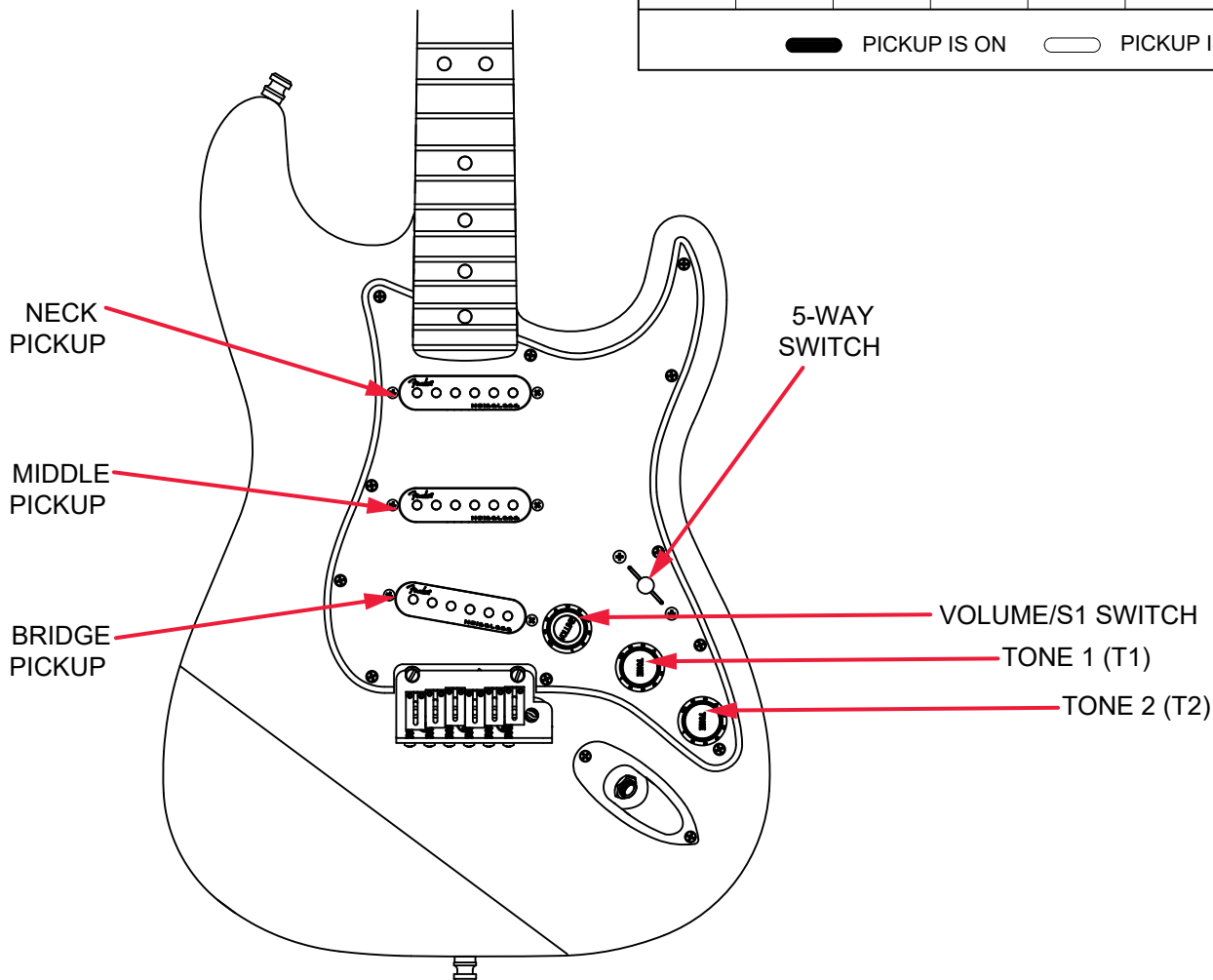


AMERICAN ULTRA STRATOCASTER® SSS (011801XXXX)

SWITCH AND CONTROL FUNCTION

T1 ONLY	T1 ONLY	T1 ONLY	T1 ONLY	T2 ONLY	TONE CONTROL	 S-1 SWITCH OFF (UP POSITION)
					5 WAY SELECTOR POSITION	
					NECK PICKUP	COMBINED PICKUPS ARE IN PARALLEL
					MIDDLE PICKUP	
					BRIDGE PICKUP	
T1 ONLY	T1 ONLY	T1 ONLY	T1 ONLY	T2 ONLY	TONE CONTROL	 S-1 SWITCH ON (DOWN POSITION)
					5 WAY SELECTOR POSITION	
					NECK PICKUP	COMBINED PICKUPS ARE IN PARALLEL
					MIDDLE PICKUP	
					BRIDGE PICKUP	

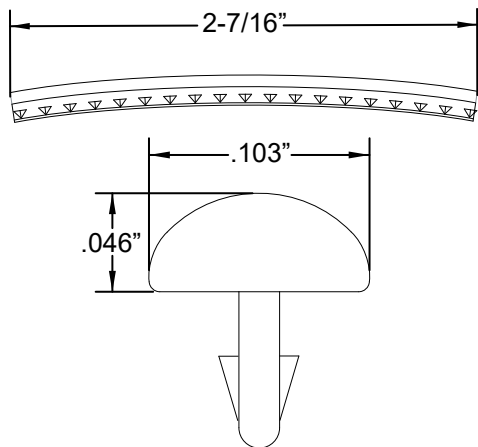
 PICKUP IS ON  PICKUP IS OFF



AMERICAN ULTRA STRATOCASTER® SSS (011801XXXX)

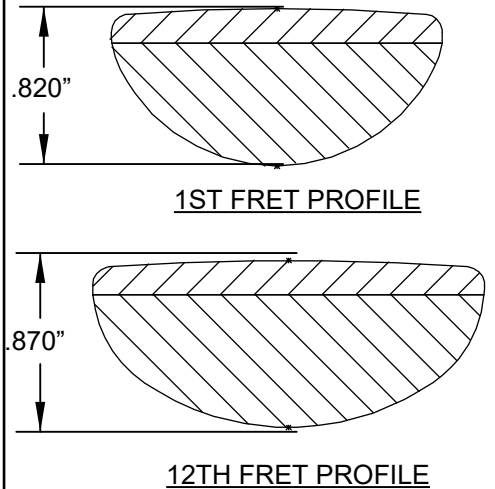
ADDITIONAL SPECIFICATION DETAIL

FRET SIZE: MEDIUM JUMBO
(FRET DIMENSIONS ARE BEFORE INSTALLATION)

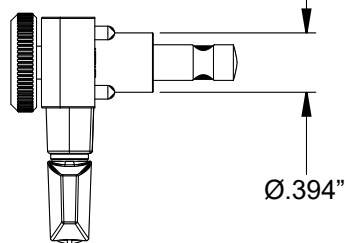


PLEASE NOTE: AS EACH NECK IS SANDED & FINISHED BY HAND, THICKNESS DIMENSIONS MAY VARY SLIGHTLY FROM THOSE SHOWN.

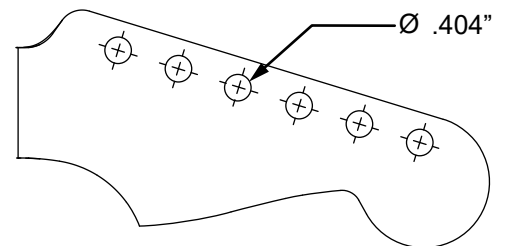
NECK PROFILE: ULTRA MODERN "D"



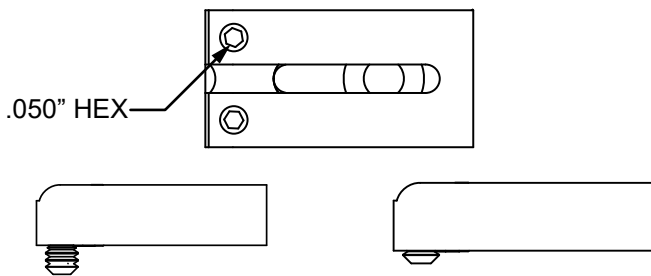
STAGGERED LOCKING TUNING MACHINES EA: P/N 0073114000
OUTER SHAFT DIAMETER .394"



TUNING MACHINE THRU-HOLE
INNER DIAMETER .404"

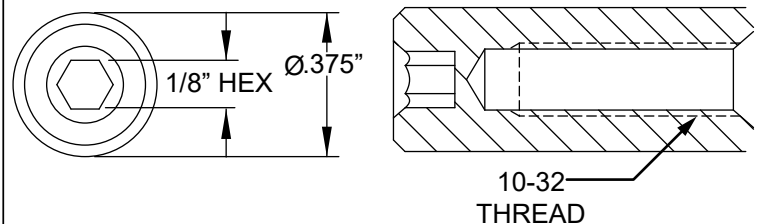


SADDLE HEIGHT ADJUSTMENT WRENCH:
.050" HEX KEY P/N 0018531049



SADDLE HEIGHT ADJUSTMENT SCREWS:
TALL: P/N 0031913049 SHORT: P/N 0017031049

TRUSS ROD NUT P/N 0994943000
TRUSS ROD ADJUSTMENT WRENCH:
1/8" HEX KEY P/N 7715532000



LOGO: AM ULTRA STRAT DECAL GOLD CHROME
APPLIED UNDER THE FINISH



PICKUP SPECIFICATIONS

POSITION	MAGNETS	DC RESISTANCE	POLARITY
NECK	ALNICO 5 UNBEVELED	7.9 - 8.7KΩ	NORTH
MIDDLE	ALNICO 5 UNBEVELED	7.9 - 8.7KΩ	NORTH
BRIDGE	ALNICO 5 UNBEVELED	9.2 - 10.0KΩ	NORTH